



SP Multisensor Camera

Capture every detail in a 360° rotation in Ultra High Resolution

The SP Multisensor camera comes with 4 individually positionable and configurable camera sensors offering 5MP resolution on each sensor. With effective resolution of 20MP, the camera provides excellent image quality to cover large areas. You also get maximum reliability with IndigoVision's Distributed Network Architecture, which removes the requirement for a central server, ensuring you never lose access to live video and benefit from minimal latency.

Key Features & Benefits



INCREASED RANGE OF SENSOR POSITIONING

The camera features four individually-adjustable camera sensors that can be positioned to monitor virtually any area.



WIDE DYNAMIC RANGE

Available in all resolutions, capture details in scenes with both very bright and dark areas, so you can detect suspicious activity in all lighting conditions.



LOW LIGHT TECHNOLOGY

Deliver safety and capture unexceptionably detailed footage even in low-light settings.



ADAPTIVE INFRARED (IR)

Automatically adjusts IR performance based on scene conditions to help maximize image quality.



IP AND IK RATED

Trust the robustness and reliability of your system with IP66 weather rating and IK10 impact rating for vandal resistance.



H.265 WITH SMARTCODEC TECHNOLOGY

Reduce costs by maximizing bandwidth utilization and storage consumption without compromising image quality.



INTERCHANGEABLE CAMERA MOUNTS

Modular design. Simple and intuitive to install so that you can be up and running in minutes



AUDIO CAPABILITIES

Available ports for external audio including sirens, microphones and/or loudspeakers for audio talk-down situations.



ONVIF[®] COMPLIANT

Built on an open platform to allow integration with other security solutions, so you can expand your existing security system.



RELAY I/O CONNECTIONS FOR FAST RESPONSE

Configure input actions (such as alarms) that trigger an external relay to perform an action (e.g., turn lights on).



5 YEAR WARRANTY

Gain peace of mind with products backed by a 5-year, industry-leading warranty.



NDAA COMPLIANT

Approach US government with confidence, knowing our cameras comply with the National Defense Authorization Act.

Specifications

Image Performance (per image sensor)

Sensor	1/2.8" Progressive CMOS
Active Pixels	2592 x 1944
Maximum Resolution	10368 x 1944
Aspect Ratio	4:3
IR Illumination - Optional (high power 850 nm LEDs)	30m (98 ft) maximum distance at 0 lux
Minimum Illumination	0.025 lux (F1.2) in color mode 0.005 lux (F1.2) in mono mode 0 lux with optional IR illuminator
Dynamic Range	100 dB, true WDR, dual exposure
3D Noise Reduction Filter	Yes
Image Rate – Analytics Enabled on All Sensors	13 / 13 fps (60 Hz/50Hz)
Image Rate – High Framerate Mode	15 / 14 fps (60 Hz/50Hz)
Lens and Horizontal Field of View	2.8mm f1.2 – 103° Remote focus

Image Control

Image Compression Method	H.264, H.265, Motion JPEG
Streaming	Multi-stream H.264, Multi-stream H.265, Motion JPEG
Motion Detection	Selectable sensitivity and threshold
Electronic Shutter Control	Automatic, Manual (1/8 to 1/8000 sec)
Iris Control	Fixed
Day/Night Control	Automatic, Manual
Flicker Control	60 Hz, 50 Hz
White Balance	Automatic, Manual
Backlight Compensation	Adjustable
Privacy Zones	Up to 64 zones
Audio Compression Method	G.711 PCM 8 kHz
Audio Input/Output	Line level input and output
External I/O Terminals	Alarm In, Alarm Out

Network

Network	Gigabit Ethernet, 1000BASE-TX
Cabling Type	CAT5E
Connector	RJ-45
API	ONVIF® compliance Profile S and Profile T (www.onvif.org)
Security	Password protection, HTTPS encryption, digest authentication, WS authentication, user access log, 802.1x port based authentication, CyberVigilant
Protocol	IPv4, IPv6, HTTP, HTTPS, SOAP, DNS, NTP, RTSP, RTCP, RTP, TCP, UDP, IGMP, ICMP, DHCP, Zeroconf, ARP
Streaming Protocols	RTP/UDP, RTP/UDP multicast, RTP/RTSP/TCP, RTP/RTSP/HTTP/TCP, RTP/RTSP/HTTPS/TCP, HTTP
Device Management Protocols	SNMP v2c, SNMP v3
Software Requirements	Control Center v17.2 or later

Peripherals

Onboard Storage	MicroSD/microSDHC/microSDXC slot – class 10/UHS-1 or better recommended
-----------------	---

Specifications

	In-Ceiling Mount	Surface Mount	Pendant Mount
Mechanical			
Dimension	Ø299 mm × 163 mm (Ø11.77" × 6.42"), below mounting surface: Ø299 mm × 76 mm (Ø11.77" × 2.99")	Ø299 mm × 115 mm (11.77" × 4.53")	With wall arm: 385 mm × 262 mm × 299 mm (15.15" × 10.30" × 11.77") With NPT adapter: Ø299 mm × 248 mm (Ø11.77" × 9.76")
Weight	5.2 kg (11.5 lbs)	With IR: 7 kg (15.4 lbs) Without IR: 5.8 kg (12.8 lbs)	With wall arm and IR: 8.4 kg (18.5 lbs) With wall arm only: 7.3 kg (16.1 lbs) With NPTA adapter and IR: 7.8 kg (17.2 lbs) With NPTA adapter only: 6.7 kg (14.8 lbs)
Body	Aluminum, Plastic dome trim	Aluminum	Aluminum
Finish	Plastic, cool grey	Powder coat, cool grey	Powder coat, cool grey
Environmental	Not applicable	IK10 Impact Rating and IP66 Weather Rating	
Optional IR Illuminator Ring	Not applicable	Optional accessory, 30m (98 ft) IR range	

Per Sensor	
Tilt	+7° to 96° from horizon
Pan	+/-120° (depending on position of image sensors)
Azimuth	+/-180°

Electrical			
Power Consumption	26 W with 24 VDC 37 VA with 24 VAC POE+	With IR: 52 W with 24 VDC 74 VA with 24 VAC POE++ or 60W POE* Without IR: 26 W with 24 VDC 37 VA with 24 VAC POE+	With IR: 52 W with 24 VDC 74 VA with 24 VAC POE++ or 60W POE* Without IR: 26 W with 24 VDC 37 VA with 24 VAC POE+
External Power	24 VDC ± 10%; 24 VAC rms ± 10%, 50 or 60Hz		
PoE*	25.5W PoE+, IEEE 802.3at Type 2 PoE Plus	With IR: High Power 51W PoE++* Without IR: 25.5W PoE+, IEEE 802.3at Type 2 PoE Plus	

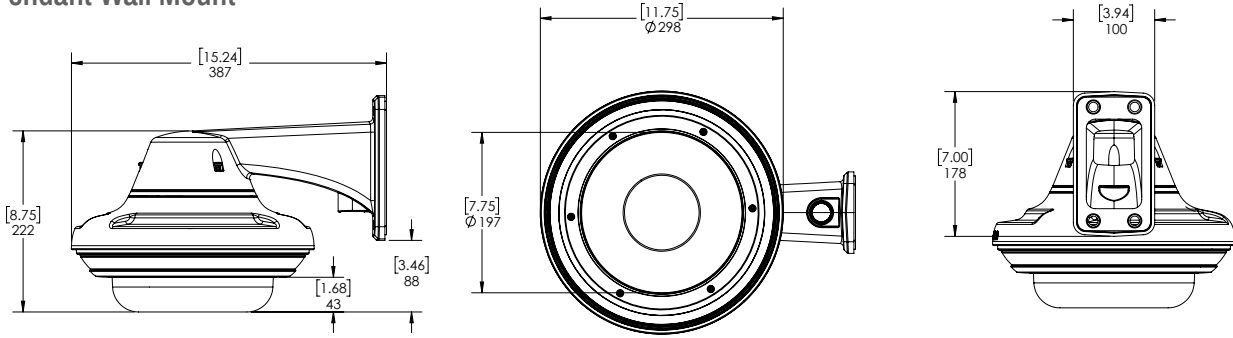
* High power PoE may not be compatible with all switches or injectors. High power PoE is compatible with Cisco® UPoE, up to 60 W over 4 pairs, or with the high PoE products listed in the Accessories section.

Environmental		
Operating Temperature Range	-10 °C (14 °F) to 50 °C (122 °F)	-40 °C (-40 °F) to 60 °C (140 °F)
Storage Temperature	-10 °C to 70 °C (14 °F to 158 °F)	
Humidity	0-95% non-condensing	

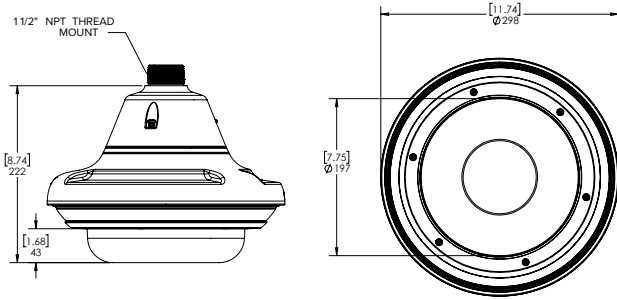
Certifications		
Certifications	UL, cUL, CE, ROHS, WEEE, RCM, EAC, BIS, KC	
Safety	UL 62368-1, CSA 62368-1, IEC/EN 62368-1	
Environmental	UL 2043 Plenum	UL/CSA/IEC 60950-22 IEC 60529 IP66 Rating, IK10 Impact Rating, IEC 60068-2-6 IEC 60068-2-27 Vibration and Shock
Electromagnetic Emissions	FCC Part 15 Subpart B Class B, IC ICES-003 Class B, EN 55032 Class B, EN 61000-6-3, EN 61000-3-2, EN 61000-3-3, EN 50121-4 (when used with AUX-FERR-TRKSID on aux power)	
Electromagnetic Immunity	EN 55035, EN 61000-6-1	
Directives	RoHS, Reach (SVHC), WEEE	

Outline Dimensions

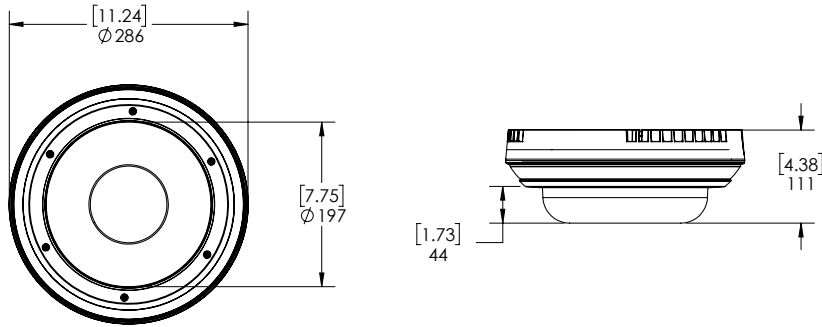
Pendant Wall Mount



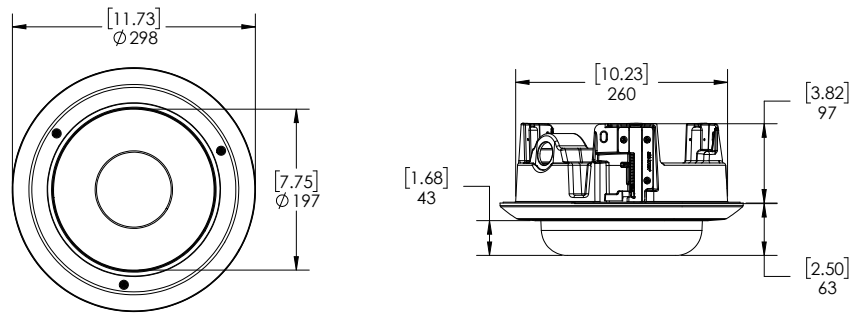
Pendant NPT Mount



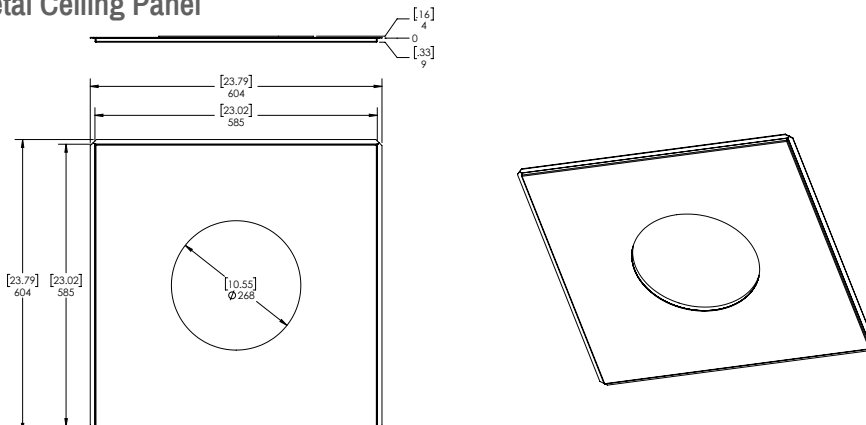
Surface Mount



In-Ceiling Mount



Metal Ceiling Panel



[X.X]	INCHES
X	MM

Ordering Information

The variety of mounting options for the SP Multisensor provides maximum flexibility. The camera module can be used in any of the mounting options.

Mounting Scenario	Ordering Information
PENDANT WALL MOUNT 	Order one of: <ul style="list-style-type: none"> • Camera module (SP-20MP-MS-360) • MS-AD-PEND • MS-DO-COVR-CLR or MS-DO-COVR-SMK • MS-IRPTZ-WALL-MNT • Optional, MS-AD-IRIL
PENDANT NPT MOUNT 	Order one of: <ul style="list-style-type: none"> • Camera module (SP-20MP-MS-360) • MS-AD-PEND • MS-DO-COVR-CLR or MS-DO-COVR-SMK • MS-IRPTZ-NPTA-MNT • Optional, MS-AD-IRIL
SURFACE MOUNT 	Order one of: <ul style="list-style-type: none"> • Camera module (SP-20MP-MS-360) • MS-AD-DOME • MS-DO-COVR-CLR or MS-DO-COVR-SMK • Optional, MS-AD-IRIL
IN-CEILING MOUNT 	Order one of: <ul style="list-style-type: none"> • Camera module (SP-20MP-MS-360) • MS-AD-CEIL • MS-DC-COVR-CLR or MS-DC-COVR-SMK • Optional, MS-DC-CPNL if ceiling panel needed

Display Part Number	Product Code	Description
SP-20MP-MS-360	754980	SP Multisensor, Camera Module Only

Mounting Adapters and Dome Covers

The SP Multisensor modular design provides pendant, surface, or in ceiling mounting adapters and a choice of two dome compatible covers per mounting option.

Display Part Number	Product Code	Description
MS-AD-DOME	150251	Outdoor surface mount adapter, must order either a MS-DO-COVR-CLR or MS-DO-COVR-SMK.
MS-AD-PEND	150252	Outdoor pendant mount adapter, must order one of MS-IRPTZ-WALL-MNT or MS-IRPTZ-NPTA-MNT and one of MS-DO-COVR-CLR or MS-DO-COVR-SMK.
MS-IRPTZ-WALL-MNT	150500	Pendant wall arm adapter, for use with MS-AD-PEND.
MS-IRPTZ-NPTA-MNT	150501	Pendant NPT adapter for use with MS-AD-PEND.
POLE-MNT	150506	Aluminum pole mounting bracket.
CRNR-MNT	150507	Aluminum corner mounting bracket.
MS-AD-CEIL	150253	In-ceiling adapter, must order either a MS-DC-COVR-CLR or MS-DC-COVR-SMK.
MS-DO-COVR-CLR	150400	Dome bubble and cover, for outdoor surface mount or pendant mount, clear.
MS-DO-COVR-SMK	150401	Dome bubble and cover, for outdoor surface mount or pendant mount, smoked. Not recommended for lowlight applications.
MS-DC-COVR-CLR	150403	Dome bubble and cover, for in-ceiling mount, clear.
MS-DC-COVR-SMK	150402	Dome bubble and cover, for in-ceiling mount, smoked. Not recommended for lowlight applications.
MS-DC-CPNL	150258	Metal ceiling panel.

Optional IR Illuminator

The optional IR Illuminator is available for the SP Multisensor when mounted in a pendant or surface mount adapter.

Display Part Number	Product Code	Description
MS-AD-IRIL	150250	Optional IR illuminator ring, up to 30m (98ft), for use with MS-DO-COVR-CLR.

Optional Injectors

Display Part Number	Product Code	Description
POE-60	150101	Indoor single port Gigabit PoE++ 60W, Region specific power cord included. Temperature range of the PoE injector is -10 °C to +45 °C (14 °F to 113 °F).
POE-30	150100	Indoor single port POE+ injector. Injector operational temperature range -20°C to +40°C (-4°F to 104°F).

Miscellaneous Accessories

Display Part Number	Product Code	Description
AUX-FERR-TRKSID	150550	Ferrite clamp for use with aux power cable when meeting EN 50121-4 requirements. Pack of 5.